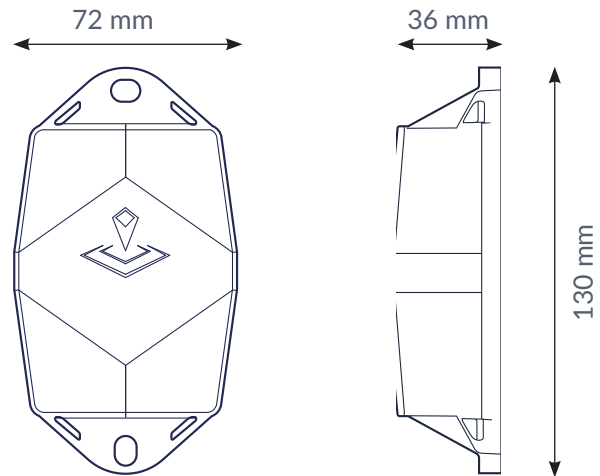


The battery-powered, remote configurable geobeacon for optimizing indoor tracking and zone accuracy of your assets.

- ⌘ Bluetooth Low Energy Beacon
- ⌘ Omni-directional PCB antenna
- 📶 Max. 100 meters range
- 💧 IP68 & IP69K
- 🔥 Flame retardant
- 🔋 Battery powered



Connectivity

Compatibility

Compatible with all Sensolus trackers with BLE localization

Transmission power

Variabel transmission power up to 100 meter.

Mounting

- Holes for screws or rivets
- Cable ties

Mechanics & design

Antenna

All antennas are internal

Size

130x 72 x 36 mm

Weight

200 gram

Color

Translucent black

Water & dust resistance

IP68 & IP69K

Operating temperature

-20 to 60°C

Storage temperature

-40 to 60°C

Casing

- Polycarbonate (lexan 943A)
- Flame retardant
- UV-stabilized

Batteries

- Up to 10 years battery life depending on operating mode
- User replaceable battery pack (Li-SoCl₂) 8400 mAh 3.6V
- 2,7 gram Lithium

User interaction

Device activation

Magnetic activation

LED feedback

Green & red LED feedback on the device

Management services

Diagnostics

- Battery lifetime prediction
- Installation
- Communication quality

Management

- OTA firmware updates
 - Remote configuration (TX power and switch on/off)
 - Optional: external environmental sensors
-

Application services

Self localization

Remote management security

- Sigfox communication AES encryption
- Device unique encryption keys
- End to end payload encryption Chacha 20
- AES encrypted firmware
- Firmware upgrade allows only signed firmware images