





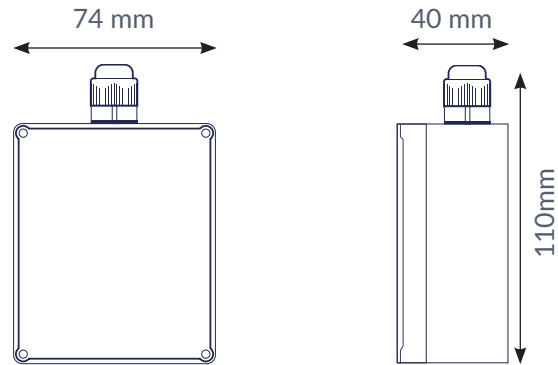
Box-sized temperature sensor with external probe with a temperature range from -70°C to +450°C

-  Battery powered
-  Range up to 60 meters
-  IP67
-  BLE

Sensor characteristics

Temperature

- Range: -70°C to 450°C
- Accuracy: 0.5°C in 0°C and 1.8 in +300°C
- Resolution: 0.5°C
- Drift: <0.1°C / year



Connectivity

Transmission range

Up to 60 meters

BLE advertisement period

2 seconds at +4dBm

Mounting

- Double sided tape
- Mounting screws

Mechanics & design

Size

- 74 x 110 x 40 mm
- Probe length: 1 meter with Pt1000 sensor

Weight

80 gram

Color

Grey

Casing

ABS

Water & dust resistance

IP67

Operating humidity

0 to 99 non-condensing

Battery

- Up to 7 years battery life depending on transmission power
- User replaceable batteries 3,6 V, size AA, capacity 2 700 mAh