



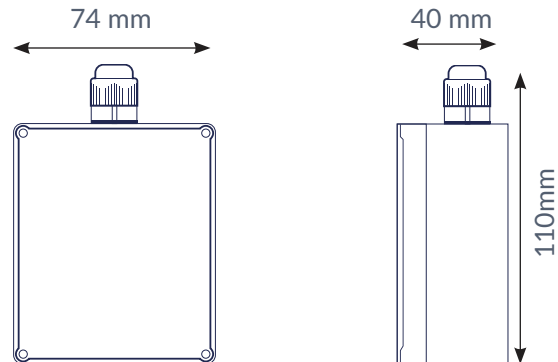


Wireless water rope sensors are used in places where uncontrolled leakage can cause large damage, e.g. in archives, museums, server rooms, warehouses, laboratories.

-  Battery powered
-  Range up to 60 meters
-  IP67
-  BLE



Sensor characteristics

Measurement of the presence of a conductive liquid at any point along the entire length of the probe.

Connectivity

Transmission range
Up to 60 meters

BLE advertisement period
2 seconds at +4dBm

Mounting

- Double sided tape
- Mounting screws

Mechanics & design

Size

- 74 x 110 x 40 mm
- Probe length: 3 meter

Weight
80 gram

Color
Grey

Casing
ABS

Water & dust resistance
IP67

Operating temperature
-35 to 70°C

Operating humidity
0 to 99 non-condensing

Storage temperature
-40 to 70°C

Battery

- 7 years battery life depending on transmission power
- User replaceable batteries 3,6 V, size AA, capacity 2 700 mAh