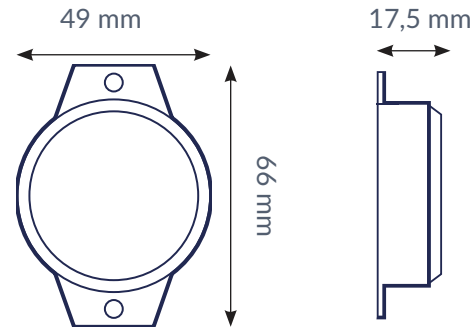


A low-cost BLE tag in the form of a coin

- ✖ Bluetooth 5.0 compatible
- 📶 Range up to 60 meter
- 🔋 Up to 3 years of battery life
- 💧 IP67



Connectivity

Transmission power

Variabel transmission power up to 60 meter.

BLE advertisement period

2 seconds

Mounting

Double sided tape
Screws

Mechanics & design

Sensors

Color

Black

Antennas

PCB antenna

Water & dust resistance

IP67

Size

49 x 66 x 17.5mm

Operating temperature

-20°C to +70°C (Battery limit)

Weight

22 gram

Casing

ABS plastic

Battery

- Up to 3 years battery life depending on transmission power
- User replaceable CR2477 batteries

Certifications

- CE
- FCC
- Bluetooth QDID/EPL