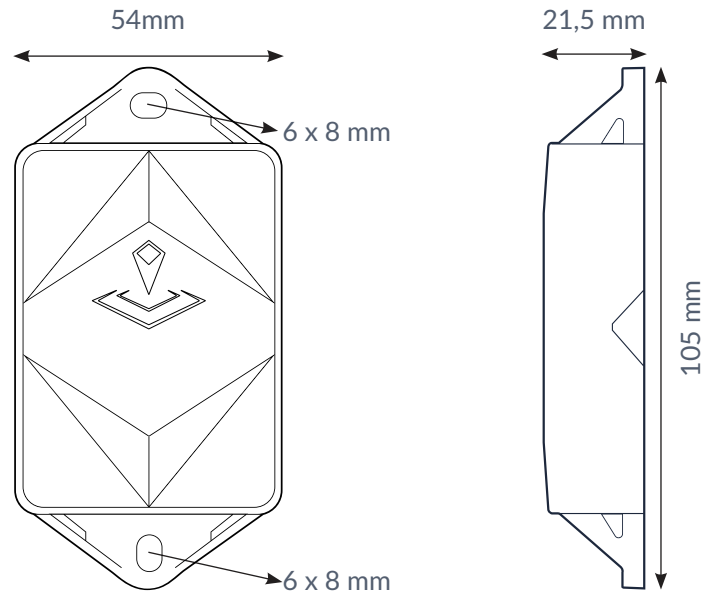


The small low-power tracker with long battery life.
Indoor and outdoor localization, zone and high precision.
In flight certified with guaranteed data recovery (patented).
Compatible with multiple external environmental sensors.

-  GPS
-  Wi-Fi
-  BLE
-  Network triangulation

-  Sigfox
-  Multi-region
-  Data recovery (patented)

-  Up to 8 years of battery life
-  IP68
-  Flame retardant



Connectivity

Sigfox

- Energy efficient transceiver
- Internal omnidirectional antenna
- Bi-directional communication
- All regions: RC1/RC2/RC3/RC4/RC5/RC6/RC7
- Dynamic multi-region switching possible
- Data recovery (patented)

Bluetooth Low Energy (BLE)

- BLE 2.4 GHz
- Bluetooth 5.0 Low Energy
- OTA firmware upgrade

Geolocalization

GNSS

- u-blox 8th generation GNSS receiver for GPS.
- Large patch antenna for optimum performance.

Wi-Fi

Wi-Fi based geolocalization (optional)

BLE

- Sensolus proximity beacon detection
- Detectable by zone and high precision anchors

Sigfox Atlas

Network based geolocalization

Sensing

Internal

- Activity monitoring
- Orientation monitoring
- In flight monitoring
- Virtual tamper detection

External BLE sensors

- Temperature, humidity, air quality
- Person presence, contact, magnet
- Other BLE sensors can be added

Mounting

- 2 holes 6x8mm for screws or rivets
 - Cable ties
 - Double sided tape
-

Mechanics & design

Antennas

All antennas are internal

Size

105x54x21,5 mm (L W H)

Weight

95 gram

Color

Translucent black

Casing

- Polycarbonate (lexan 943A)
- Flame retardant
- UV-stabilized

Water & dust resistance

IP68

Operating temperature

-20 to 60°C

Storage temperature

-40 to 60°C

Battery

- 3 to 8 years battery life depending on operating mode
 - Non replaceable battery pack 5200 mAh 3.0 V(Li-MnO₂)
-

Certifications

Sigfox

- Sigfox multi-region verified
- All regions class 0 certified

Regulatory

CE

Electrical safety

EN-60905-1

Bluetooth 5.0

Declaration ID: D048003

User interaction

Device activation

Magnetic activation

Synchronize remote settings

- Instant: Magnet activation
- Periodic: No user interaction needed

LED feedback

Green & red LED feedback on the device

Management services

Diagnostics

- Battery lifetime prediction
- Detailed energy consumption
- Geolocation diagnostics
- Installation
- Communication quality

Management

- OTA firmware updates over BLE
 - Remote configuration
 - Tracker usage profiles
 - External environmental sensors
-

Application services

- Localization
 - Activity
 - Connectable with environmental sensors
 - Tilt detection
 - Journeys
 - Utilization
-

Firmware configuration

Communication service

- Region switching strategy
- Data recovery strategy
- Communication conditions

General configuration

- Rule engine configuration
- Diagnostic levels
- Boot methods
- Accurate time synchronization

Orientation service

Orientation detection parameters

Activity service

Activity detection parameters

Location service

- Motion based, context based, periodic or scheduled
- Configurable update rate and journey detection
- Priority sequence (GPS, Wi-Fi, BLE, network)
- GPS fix parameters
- Indoor detection algo
- Wi-Fi scan strategy
- BLE scan strategy

Environmental sensing

- Polling and aggregation strategy
- Alerts
- Edge processing parameters

Tamper service

Virtual tamper algo configuration

Security

- Sigfox communication AES encryption
- Device unique encryption keys
- End to end payload encryption Chacha 20
- AES encrypted firmware
- Firmware upgrade allows only signed firmware images