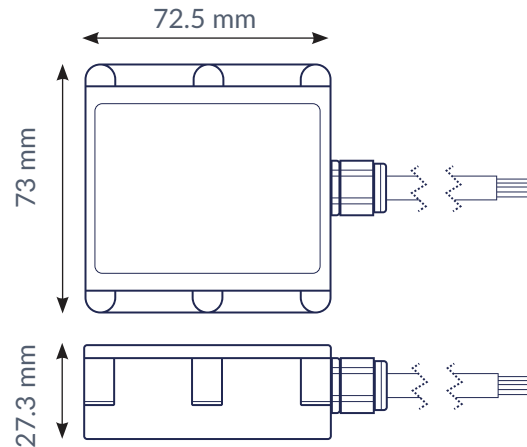


Track 1201 is a waterproof GNSS tracker with internal backup battery.

- GPS
- IP67
- External power source
- Internal back up battery
- Bluetooth for external devices



Connectivity

Mobile network

2G (SIM-card is required)

Bluetooth Low Energy (BLE)

Bluetooth Low Energy 4.0

Geolocalization

GNSS

GPS, GLONASS, GALILEO, BEIDOU, SBAS, QZSS, DGPS, AGPS

Mounting

Double sided tape

Mechanics & design

Antenna

- Internal High Gain GNSS antenna
- Internal GSM High Gain Cellular antenna

Size

72.5 x 73 x 27.3 mm (L x W x H)

Weight

205 gram

Color

Black

Sensors

Accelerometer and gyroscope

Water & dust resistance

IP67

Operating temperature

-40 to 85°C (without temperature)

Storage temperature

-40 to 85°C (without temperature)

USB

2.0 Micro-USB

SIM

Micro-SIM

Memory

128MB internal flash memory

Power

- Input voltage: 6 - 30 V DC with overvoltage protection
 - Back up battery : 1800 mAh Li-Ion battery (6.66 Wh)
-

Certifications

Regulatory

CE/RED, EAC, REACH, RoHS

User interaction

LED feedback

2 status LED lights

Application services

- Localization
 - Journeys
 - Activity
 - Utilization
 - Speed
 - Travelled distance
 - BLE connectivity
-

Configuration

Configuration and firmware update

- FOTA Web
- FOTA
- Teltonika Configurator (USB, Bluetooth)
- FMBT mobile application (Configuration)

GPRS commands

- Configuration
- Debug

SMS

- Configuration
- Events
- Debug

Time synchronisation

- GPS, NITZ, NTP